



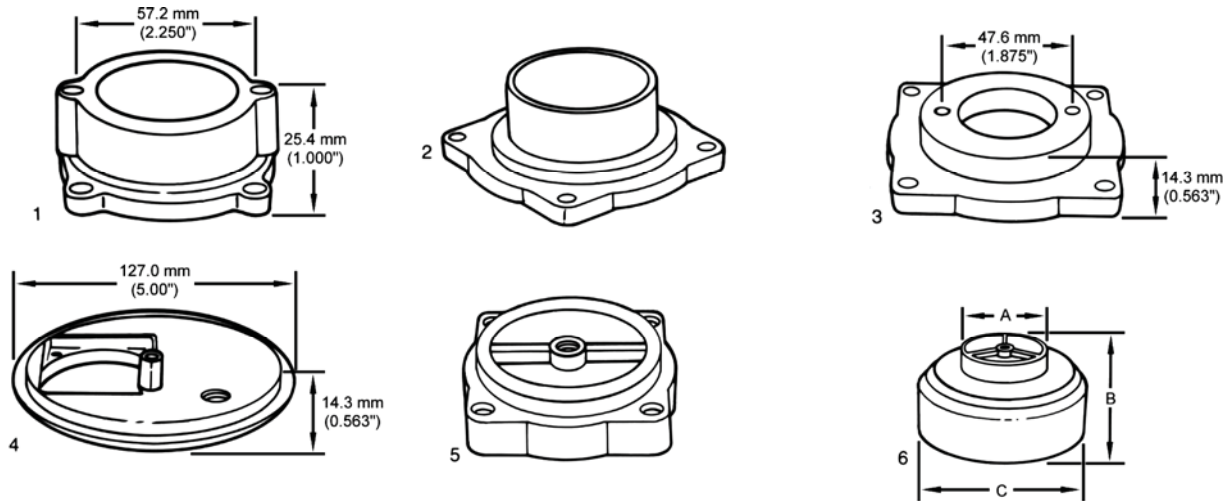
# ADAPTERS

# A2 MODEL ADAPTERS

## ADAPTERS



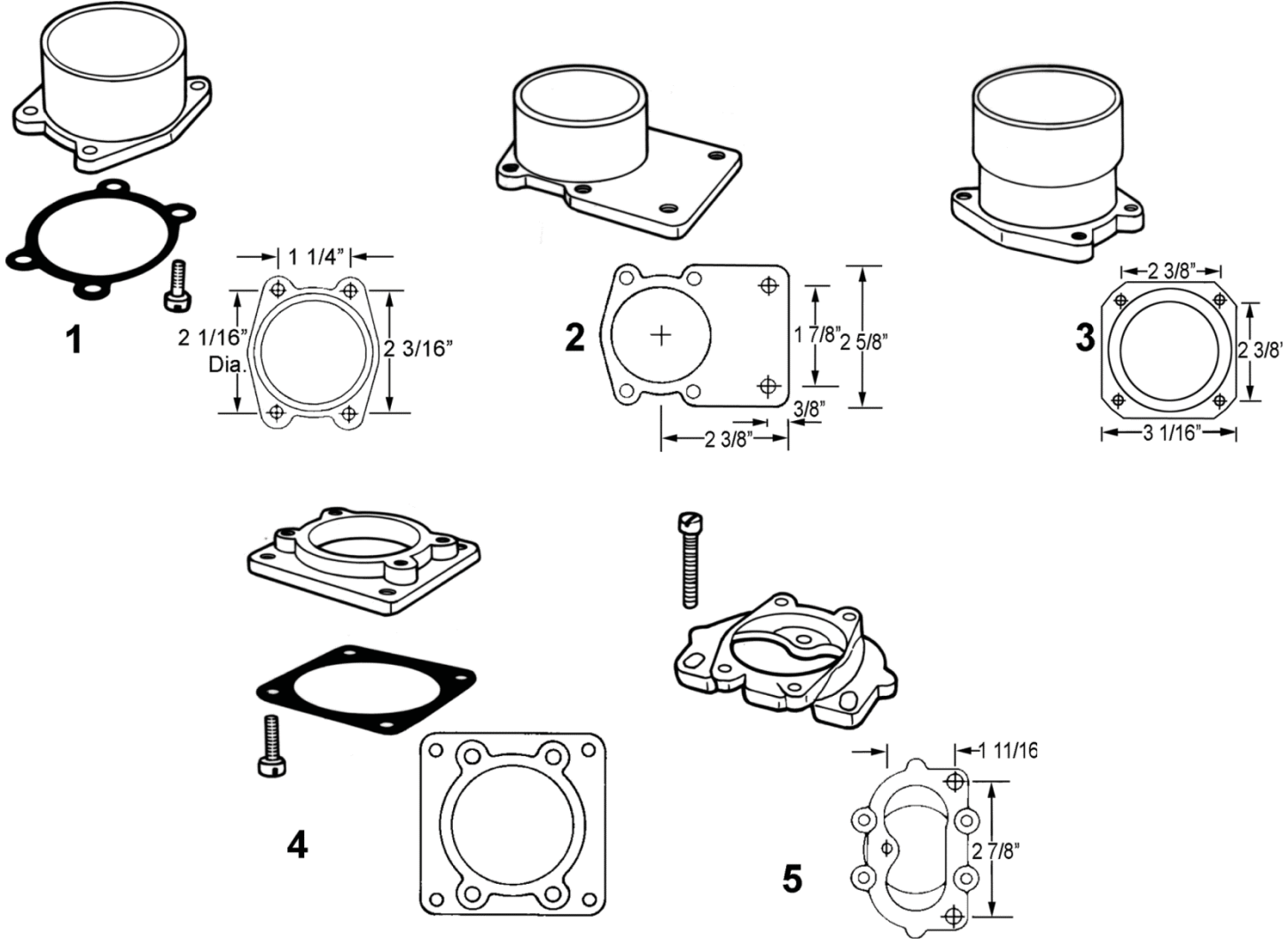
### A2 MODEL AIR HORN ADAPTERS



ITEM#	PART#	DESCRIPTION	A	B	C
1	A2-35	For Model CA55 mixer, to 1974 Toyota lift truck Air Horn			
	A2-36	For 1.5000" I.D. hose			
	A2-37	For 1.625" I.D. hose			
	A2-38	For 1.875" I.D. hose			
2	A2-39	For 2.063" I.D. hose			
	A2-41	For 2.313" I.D. hose			
	A2-61	For 63mm I.D. hose, tapped to 8mm			
4	A2-44	Adapter, Air Cleaner for CA55-500			
5	A2-60	For Datsun J-15 engine, 57.2m (2.250") dia., w/ 1/4" 20 ctr st			
	A2-7	For model 125 mixer	66.7mm (2.625")	44.5mm (1.750")	130.0mm (5.125")
	A2-8	For model 125 mixer	58.7mm (2.313")	44.5mm (1.750")	130.0mm (5.125")
	A2-9	For model 125 mixer	56.4mm (2.219")	44.5mm (1.750")	130.0mm (5.125")
	A2-33	For model 125 mixer	80.0 mm (3.150")	44.5mm (1.750")	130.0mm (5.125")
	A2-34	For model 125 mixer	54.0mm (2.126")	44.5mm (1.750")	130.0mm (5.125")
	A2-35	For model 125 mixer	70.0mm (2.765")	44.5mm (1.750")	130.0mm (5.125")
	6				



**A3 MODEL ADAPTERS**



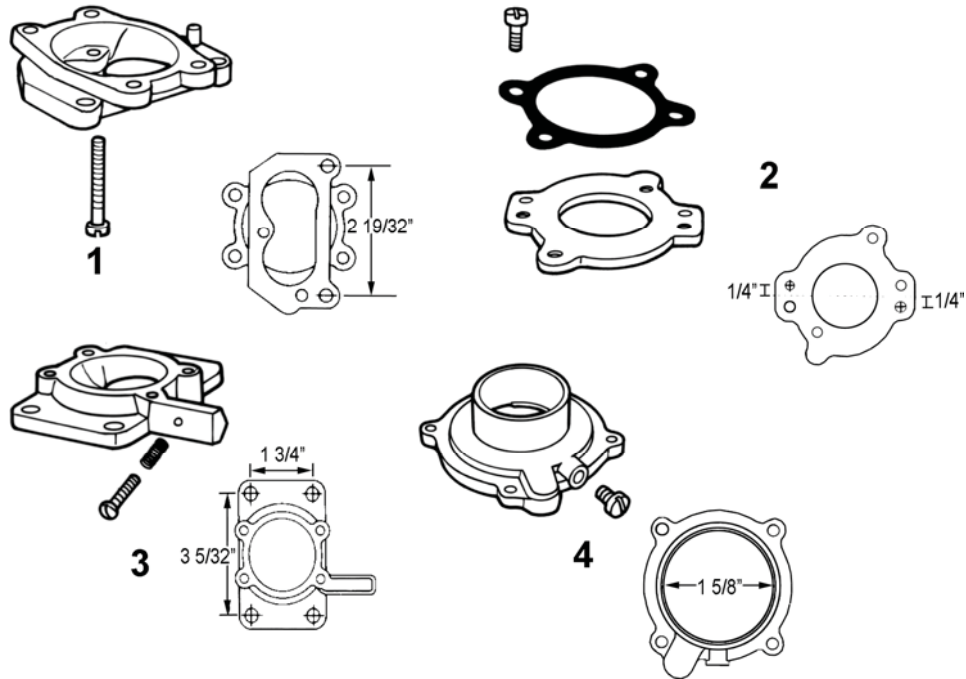
ITEM#	PART#	DESCRIPTION
1	AA3-29-1	Adapter Assy kit, 100M & 125M to 2 1/16" hose, w/ A3-29-1, G1-11, S1-19 (4)
	AA3-29-2	Adapter, Assy kit, 100M & 125M to 2 1/16" hose, tapped for 12" x 24", w/A3-29-2, S1-19 (4), G1-11
2	A3-29-3	Adapter, 100M & 125M to 2 1/16" hose, w/mounting base
	A3-28	Adapter, 200 & 225M to 3 1/6" hose
3	A3-31	Adapter, 100M & 125M to 2 1/4" hose
4	AA3-32-1	100 & 125 Mixer to 200 & 225 Throttle Body, w/A3-32-1, G1-11, S1-19 (4)
	AA3-32-2	100 & 125 Throttle Body to 200 & 225 Mixer, w/A3-32-2, G1-11, S1-19 (4)
5	AA3-49	Adapt. Assy kit, 100 and 125M to Datsun C5 & Nikki p5 throttle body, w/ A3-49, S1-62

# A3 MODEL ADAPTERS

## ADAPTERS

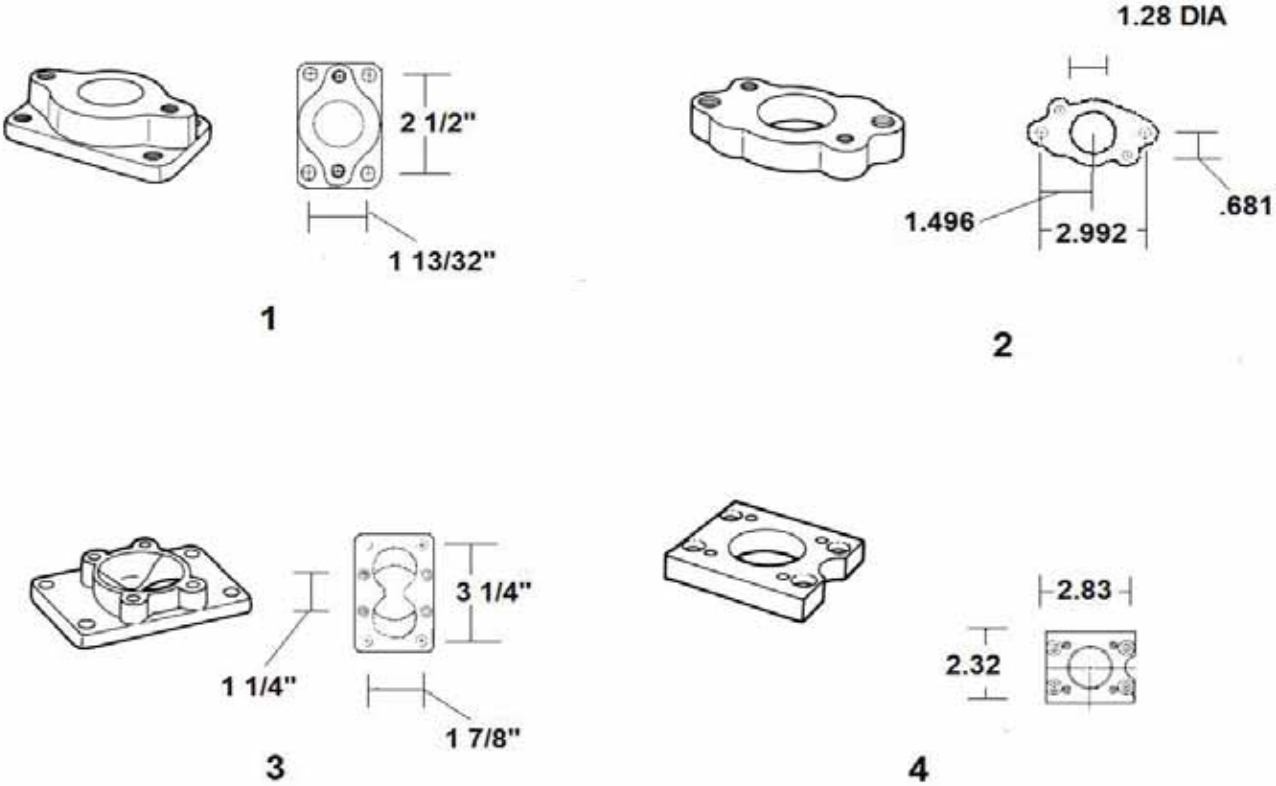


### A3 MODEL ADAPTERS (CONTINUED)



ITEM#	PART#	DESCRIPTION
1	AA3-50	Adapt. Ass'y Kit, 100 & 125M to Datsun C3 & P3 throttle body, w/A3-50, S2-23
2	AA3-58	Adapter Assy kit, 100M to throttle body, 11.1mm (04.38' offset, w/A3-58, G1-11, S1-67 (4)
3	AA3-67	Adapter, Assy kit, 125M Mitsubishi lift truck throttle body, w/A3-67, S1-53, S2-3, G1-126
4	A3-82	Adapter 55M to 1 5/8" hose
	A3-83	Adapter 55M to 1 7/8" hose
	A3-84	Adapter 55M to 2 1/16" hose

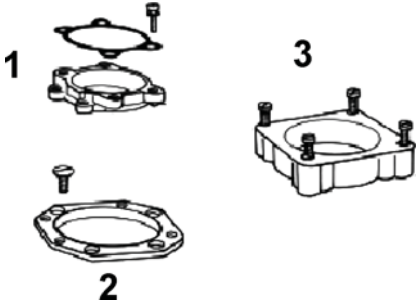
**A3 MODEL ADAPTERS (CONTINUED)**



ITEM #	PART #	DESCRIPTION
1	A3-94	Adapter, 1" SAE flange to Datsun 4-bolt manifold flange
2	A3-113	Adapter, CA55-500 Series to Toyota 4Y intake manifold
3	A3-105	Adapter, Hyster governor, 2B to CA125 & CA100M
4	A3-124-2	Adapter, 100-125 to Solex lower throttle body

**S3 MODEL SPACERS**

ITEM #	PART #	DESCRIPTION
1	AS3-10	Spacer ass'y, to turn CA125 Air Horn 90°, for S3-10, G1-11, & S1-19 (4)
2	AS3-43	Spacer ass'y to turn CA125 Air Horn 90°, for S3-43 G1-11, & S1-68 (4)
3	AS3-45	Spacer ass'y, 200 & 225 throttle body to mixer: S3-45, G1-21, S1-93 (4), W1-16 (4)



ADAPTER, FOR 5/18" AIR HORN

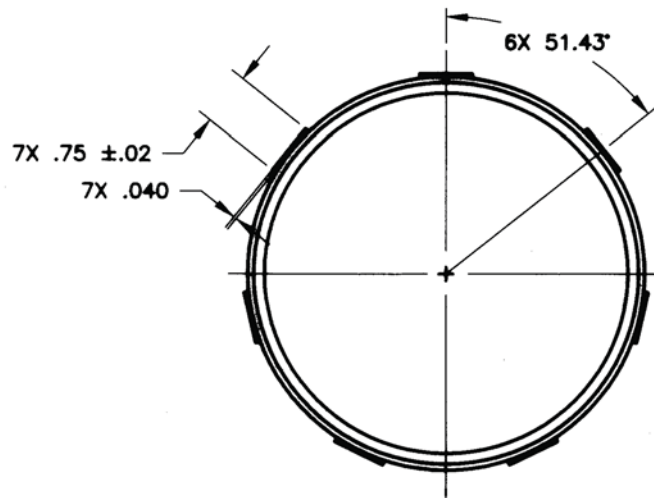
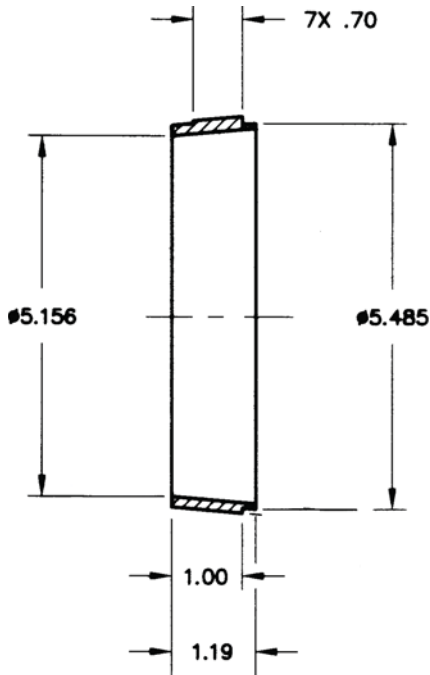
ADAPTERS



ADAPTER, FOR 5 1/8" AIR HORN, P/N A1-61



DIMENSIONS

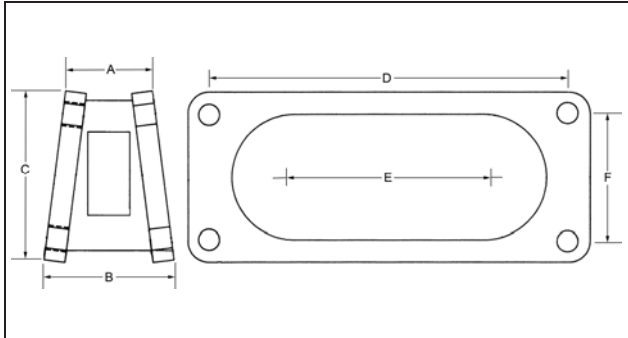




**WEDGE ADAPTER ASSY**

**ADAPTERS**

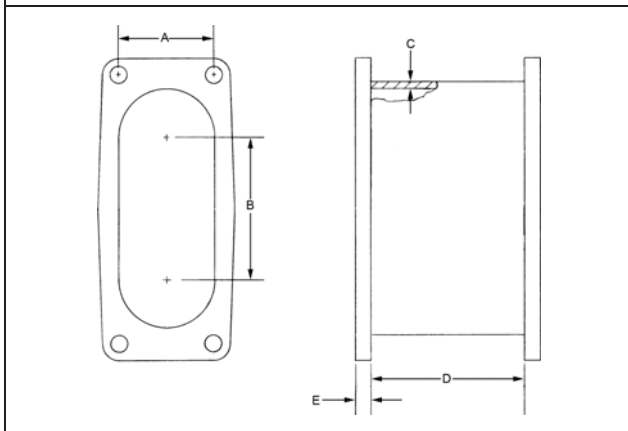
**UNIDAPT ADAPTER SYSTEM COMPONENTS**



	A	B	C	D	E	F
	WIDTH	WIDTH	FLANGE HEIGHT	CTR. TO CTR. BOLTS	OPENING CTR TO CTR	CTR TO CTR SPACING
P/N	1.0"	1.5"	1.79"	4.27" (108.5mm)	2.25" (57.15mm)	1.5" (38.1mm)
A1-59	(25.4mm)	(38.1mm)	(45.5mm)			

**AA1-59**

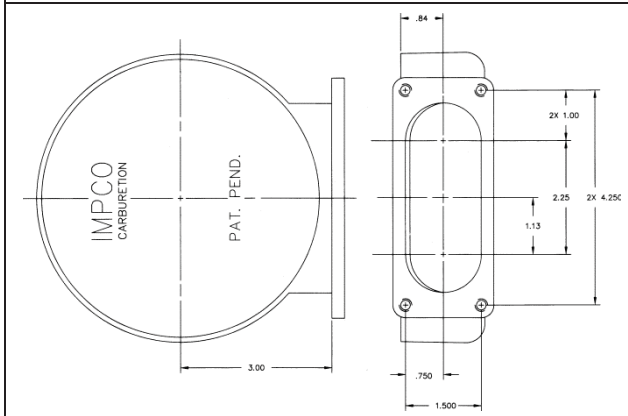
ITEM #	PART #	DESCRIPTION
1	NSS	Adapter, Unidapter Machined
2	G1-135	Unidapter Gasket
3	S1-5	Screw 1/4-20 Large Head Hex



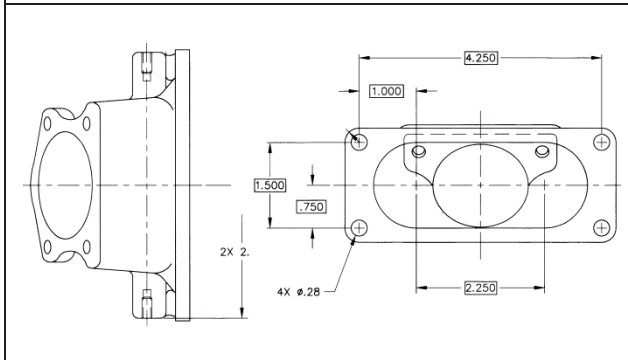
	A	B	C	D	E
	CTR. TO CTR. BOLTS	OPENING CTR TO CTR	WALL THICKNESS	WIDTH/ SPACING	FLANGE THICKNESS
P/N	1.5"	2.25"	0.10" (2.54mm)	2.44" (62.0mm)	0.25" (6.35mm)
AA1-60	(38.1mm)	(57.15mm)			

**AA1-60**

ITEM #	PART #	DESCRIPTION
1	NSS	Adapter, Unidapter Machined
2	G1-135	Unidapter Gasket
3	S1-5	Screw 1/4-20 Large Head Hex



<b>AA1-57</b>		
ITEM #	PART #	DESCRIPTION
1	A1-57	Adapter, Unidapter Machined
2	G1-135	Unidapter Gasket
3	S1-5	Screw 1/4-20 Large Head Hex



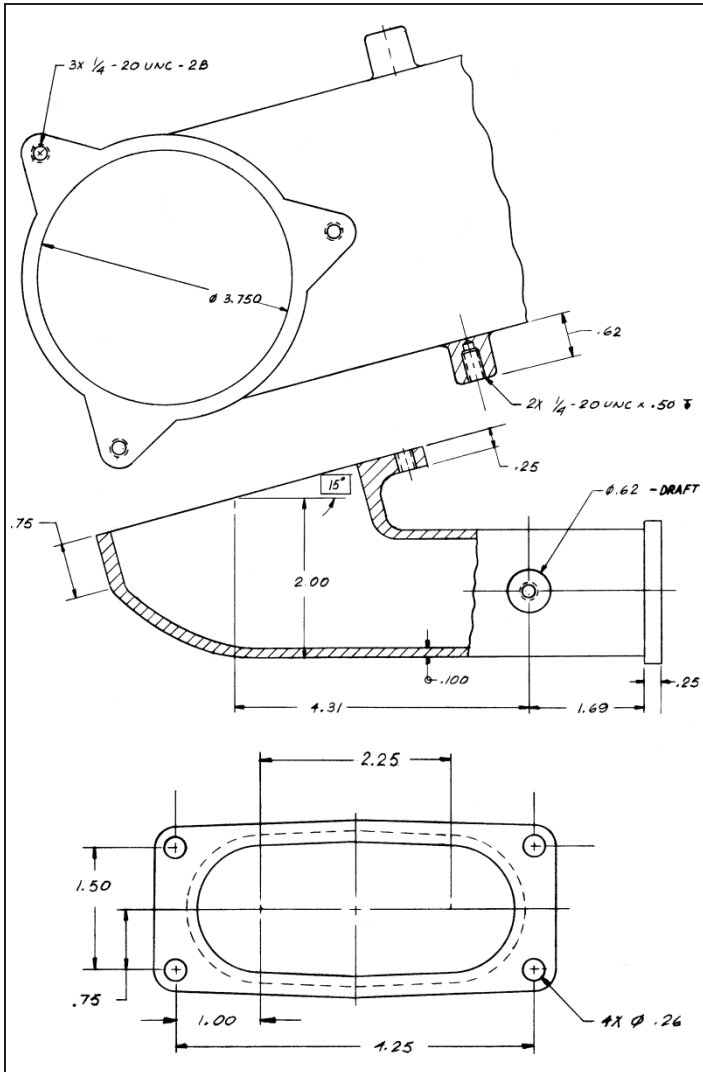
<b>A1-53</b>	
<b>Adapter, 125 Series Mixers</b>	

# ADAPTER ASSY, EXTENSION

## ADAPTERS



### UNIDAPT ADAPTER SYSTEM COMPONENTS

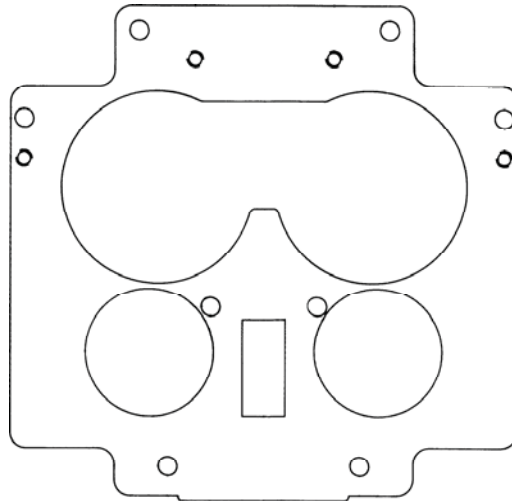


**A1-63**  
Adapter, 300A and 175 Series Mixers





ADAPTER, CARTER THERMO QUAD



DIMENSIONS

AA3-64

ITEM #	PART #	DESCRIPTION	QTY
1	A3-64	Adaptor	1
2	NSS	Adapter Cut & Drilled	1
3	G1-74	Gasket, Mixer-Adapter Mod 425	1
4	G1-75-3	Gasket, Adapter A3-37 Mod 425	1
5	S1-19	Screw 12-24X5/8 Sltdfil Stlznc	4
6	S1-35	Screw, 10-32 .38 Pnh Sltd Zn	1
7	S1-51	Screw, 10-32 1.25 Filh Sltd Zn	1
8	NSS	Screw, 10-32 1 Filh Sltd Zn	8
9	NSS	Screw 10-24X1/2 Sltdfil Stlznc	4
10	S2-15	Spring/Idle Stop	1